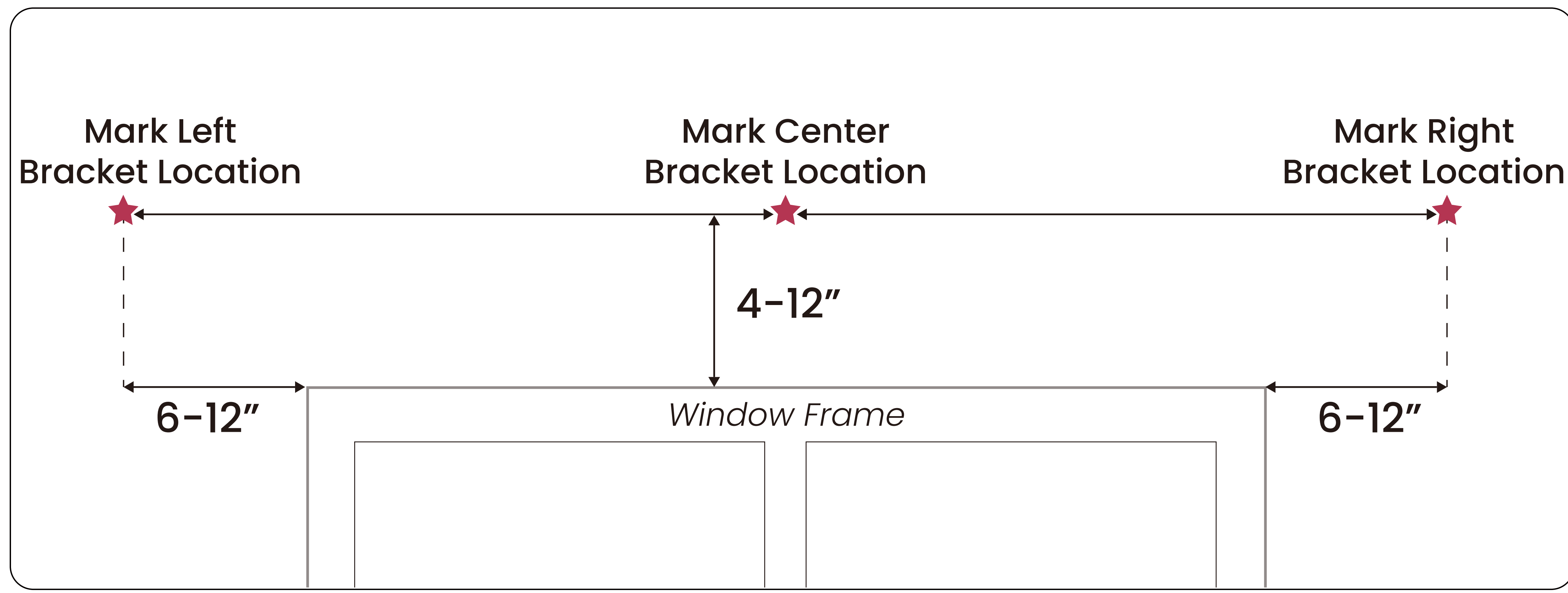


Curtain Rod Installation Instruction

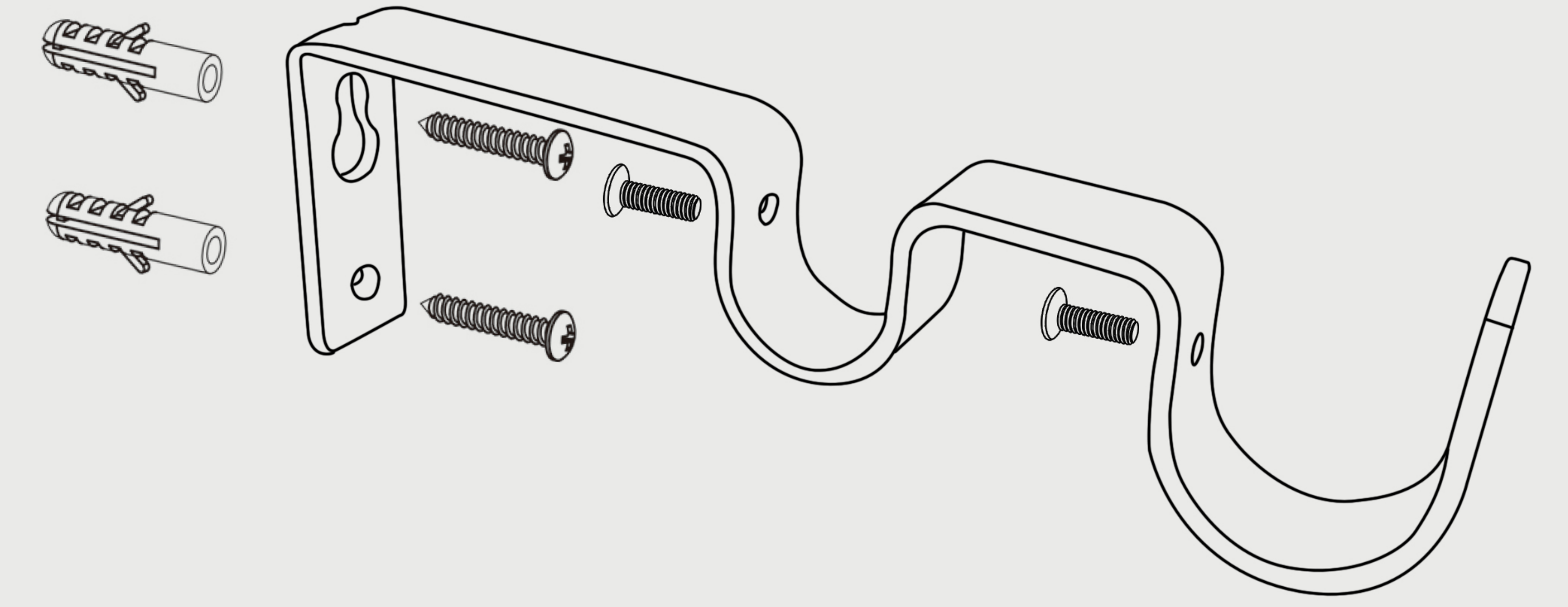


1

For a superior look, mount above and beyond the window frame to allow the molding to be visible, to make the window look larger, and to let more light in when the curtains are open. Mark the locations of the brackets.

2

Use a stud finder to determine if there are beams at the locations you marked. Use a 3/32" straight bit for drilling pilot holes into studs. For drywall, use a 11/64" straight bit and gently tap anchors with a hammer until they are flush with the wall. Install brackets with screws. Leave the smaller screw in the bracket loop loose.

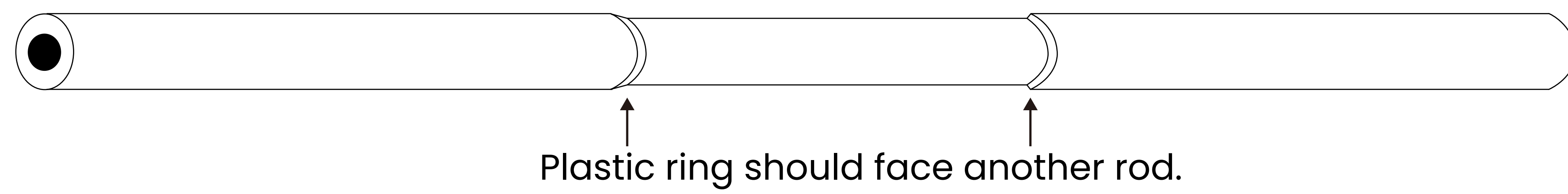


3

Depending on the size of the model purchased, locate and setup the telescoping rod as depicted above. The threaded insert where the finials screw in should be facing out. Note that for models that are 72-144", if a target width of less than 100" is required, only two rod pieces will be utilized. One of the larger diameter rods should be set aside. The smaller diameter rod also has a threaded insert on one side for mounting a finial. (Diameter: Ø)

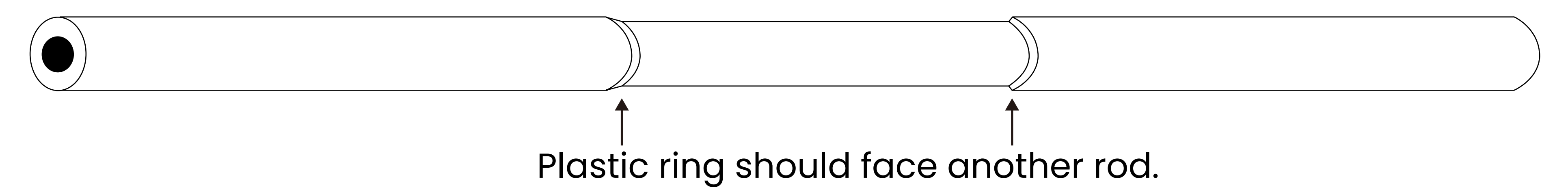
Smaller Rod

For Rod Sizes: 72-144" Ø 0.63-0.75"

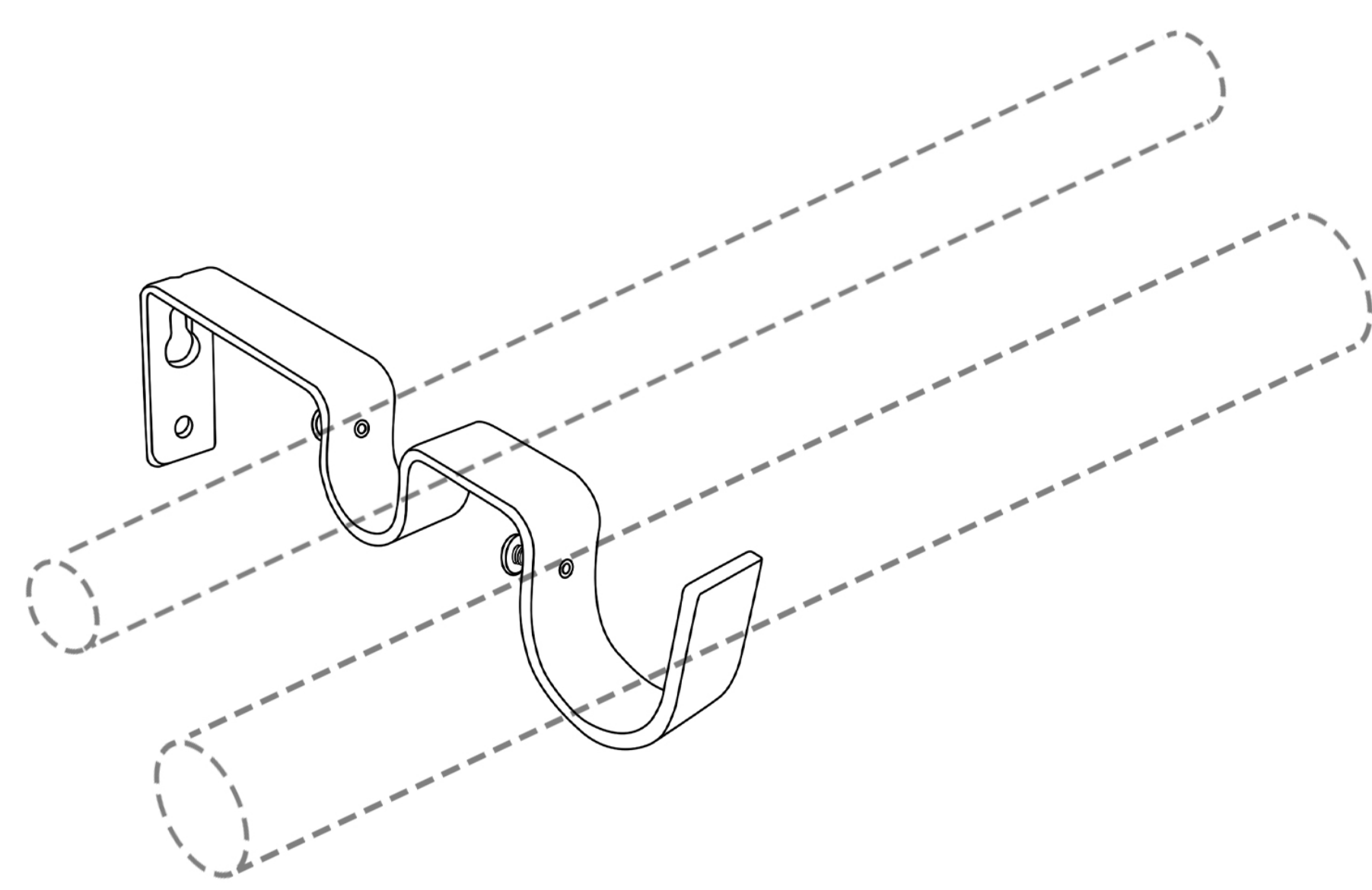


Bigger Rod

For Rod Sizes: 72-144" Ø 0.98-1.1"

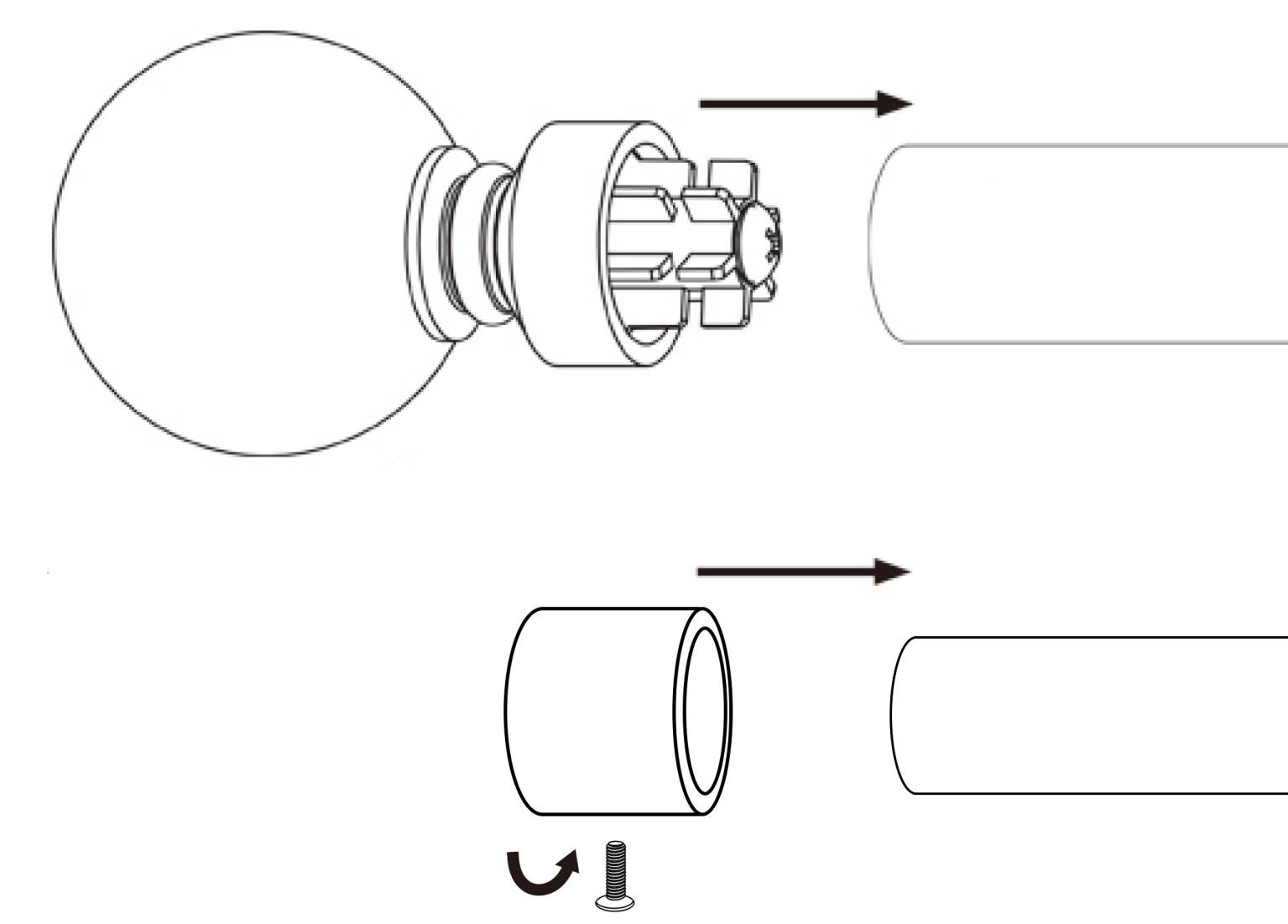


4



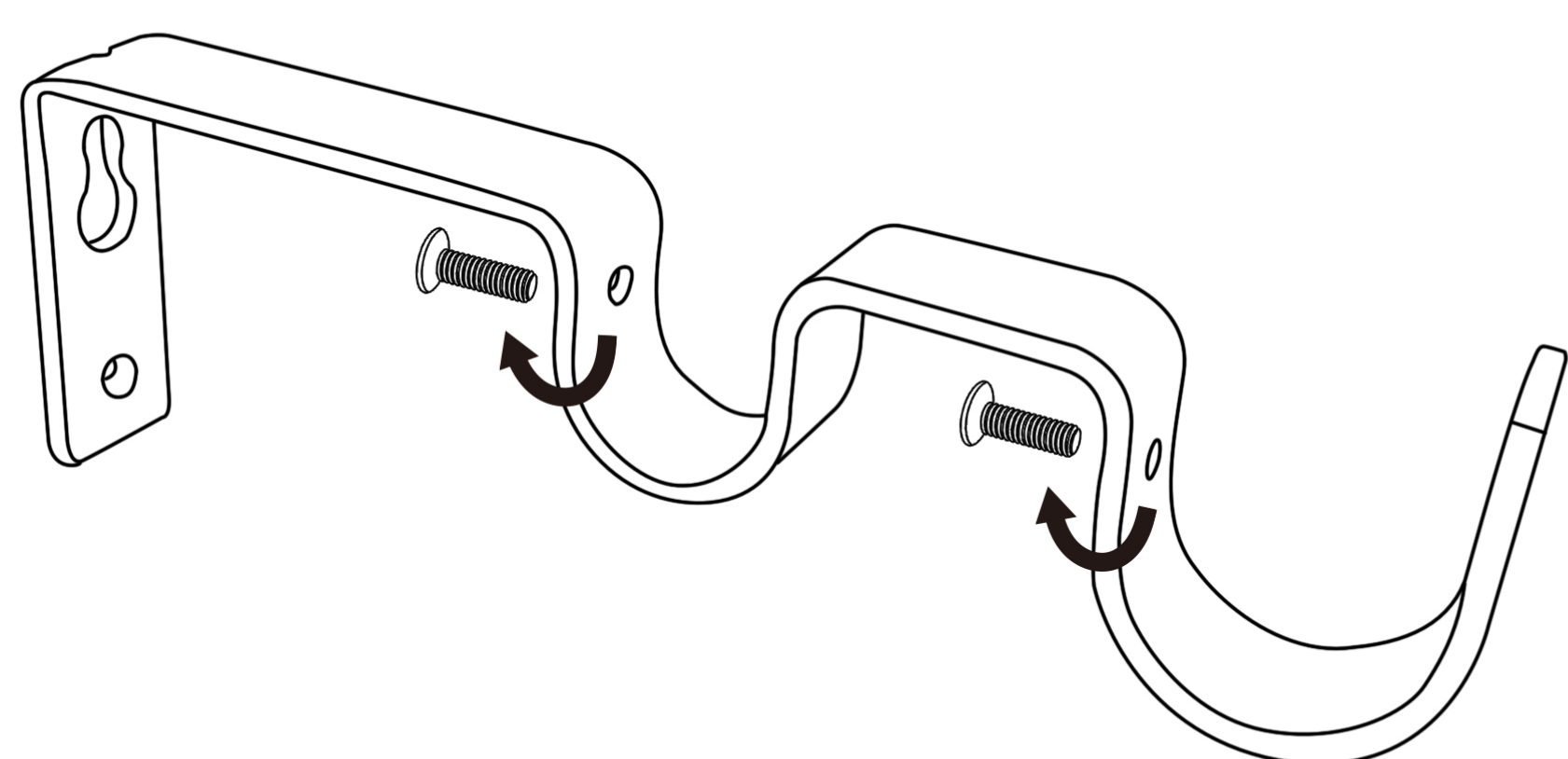
Place the rod on the bracket.

5



Push the finials in to both ends of the rod.
Tighten the small screw for smaller rod.

6



Tighten the small screw in the bracket loop to prevent the rod from sliding.

COMPLETED

