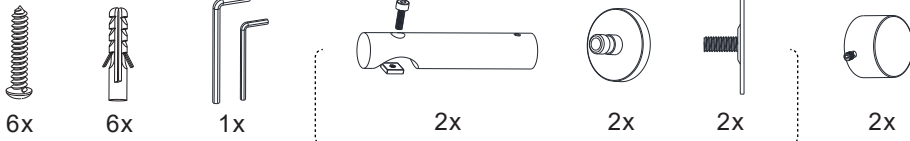


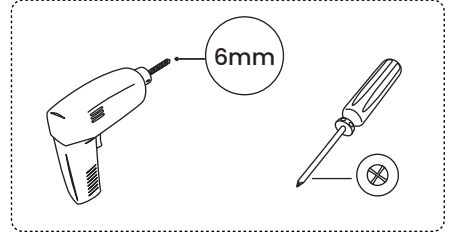
# Rex Custom Traverse Rod Installation Instruction



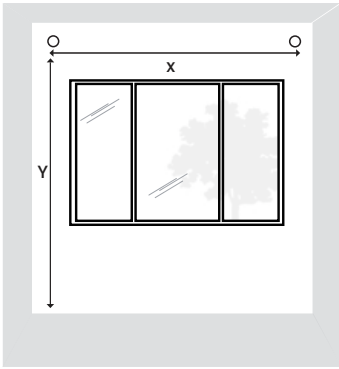
Tools You'll Need:



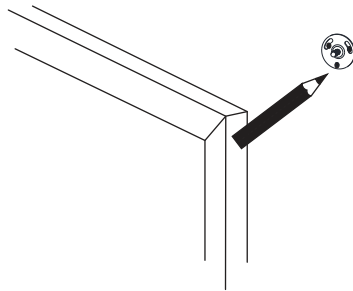
Per-installed together



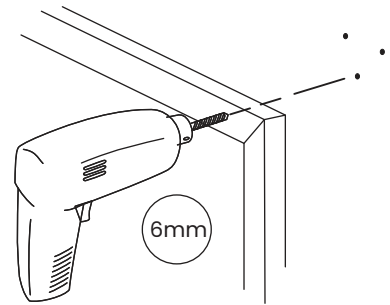
**1** Double check the position.



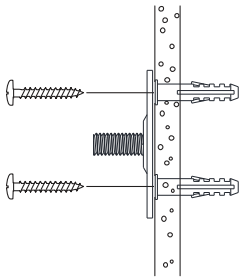
**2** Mark the bracket position.



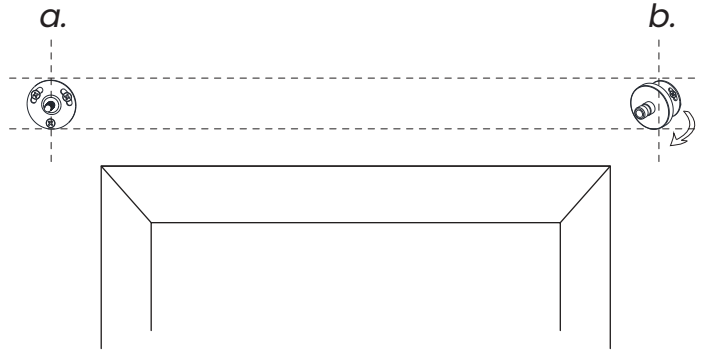
**3** Drilling.



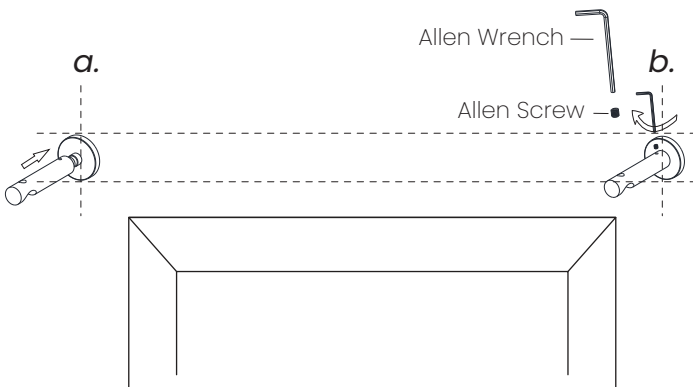
**4** Install the bracket fixing.



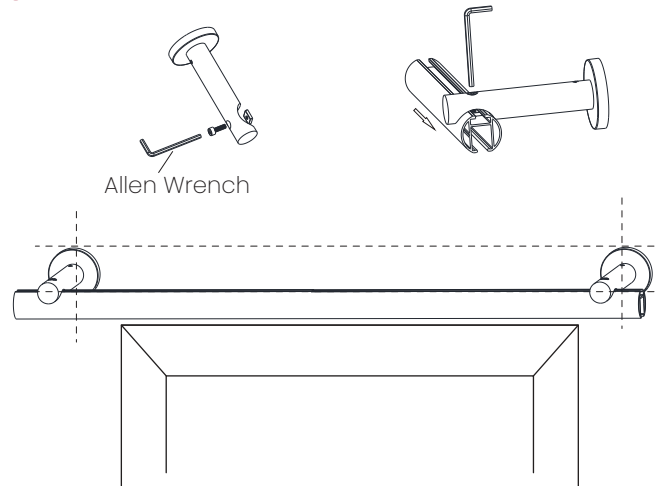
**5** Install the bracket base.



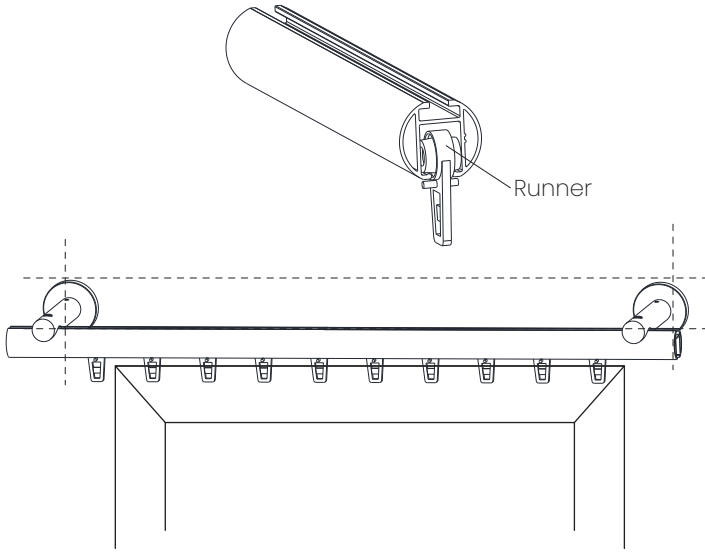
**6** Install the rod  
(if using rings, add rings at the same time).



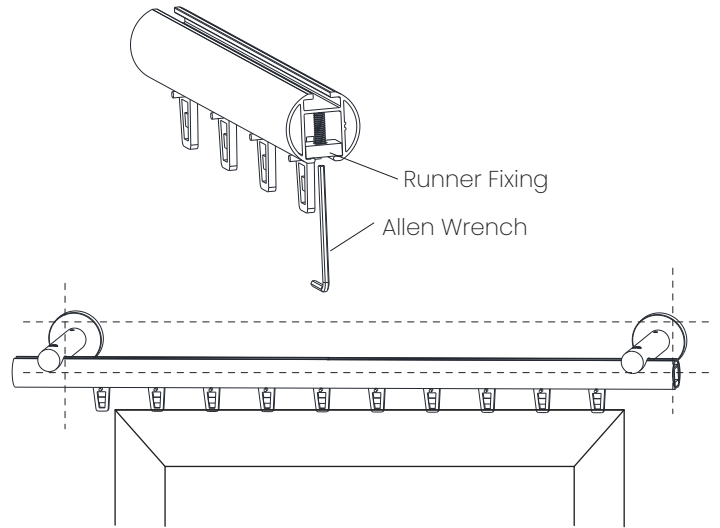
**7** Install the bracket.



**8** Install the runners.



**9** Install the runner fixing  
(for the last runner that you don't want to slide).



**10** Install the ends.

